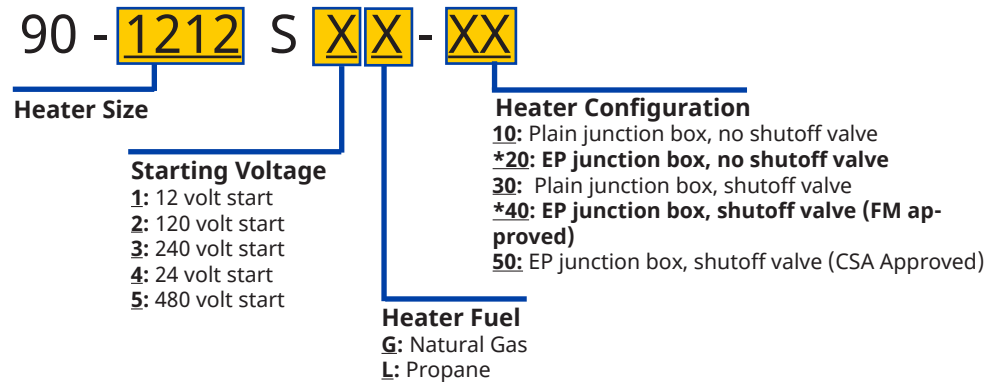
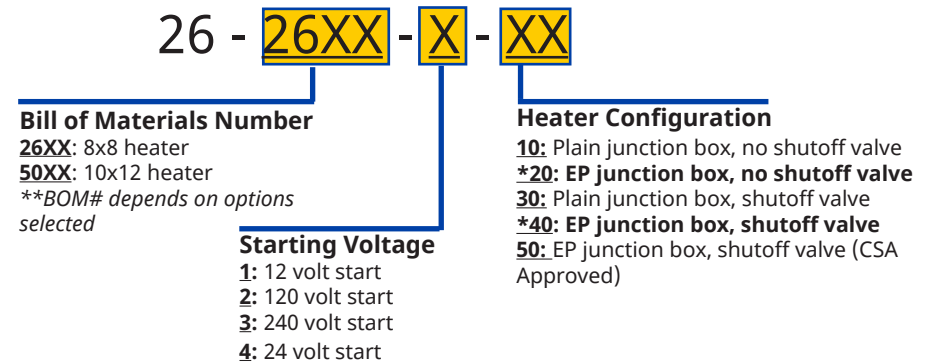


# CATCO PART NUMBER KEY

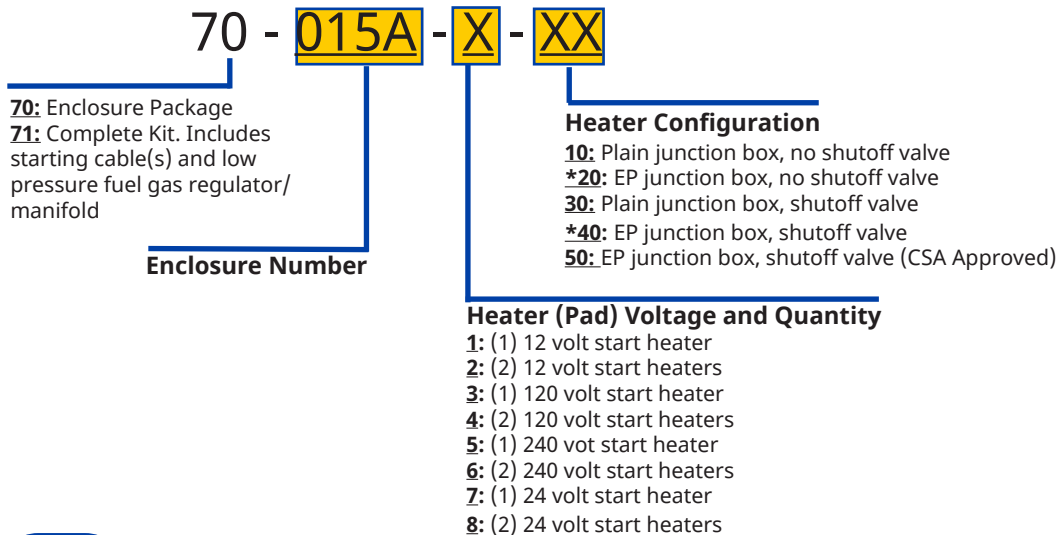
## SPACE HEATER PART NUMBER KEY



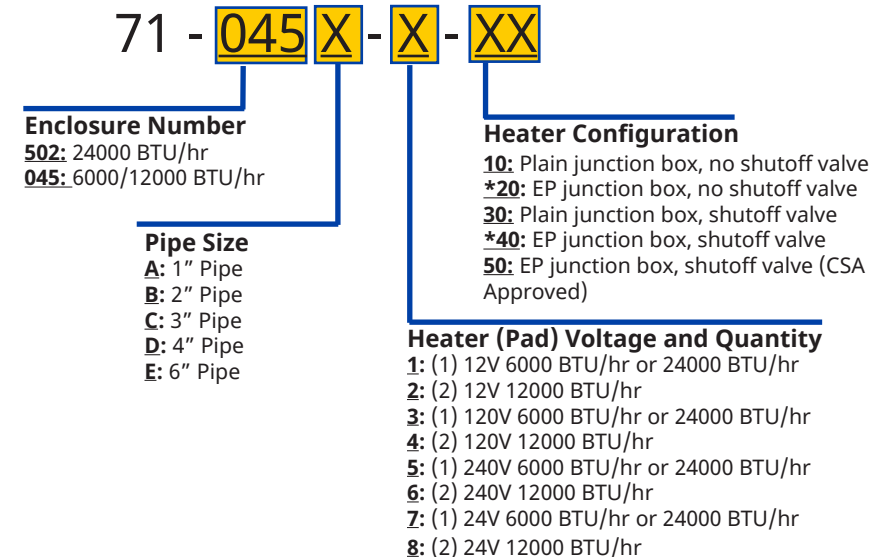
## INSTRUMENT GAS HEATER PART NUMBER KEY



## ENCLOSURE PART NUMBER KEY



## PIPELINE PACK PART NUMBER KEY



Follow the attached link for CXE Heaters  
 \*\*Catco recommended configurations

November 2021\_vs1