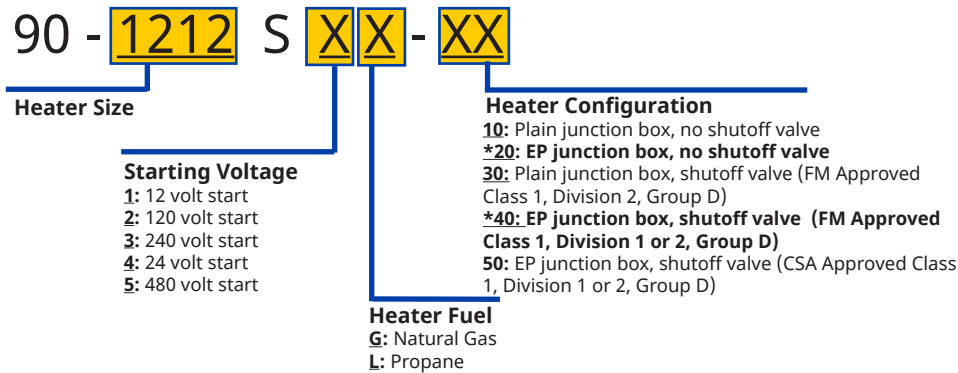
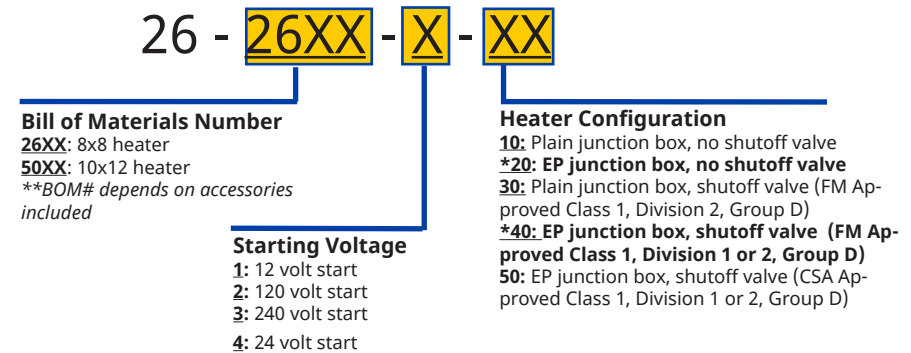


# CATCO PART NUMBER KEY

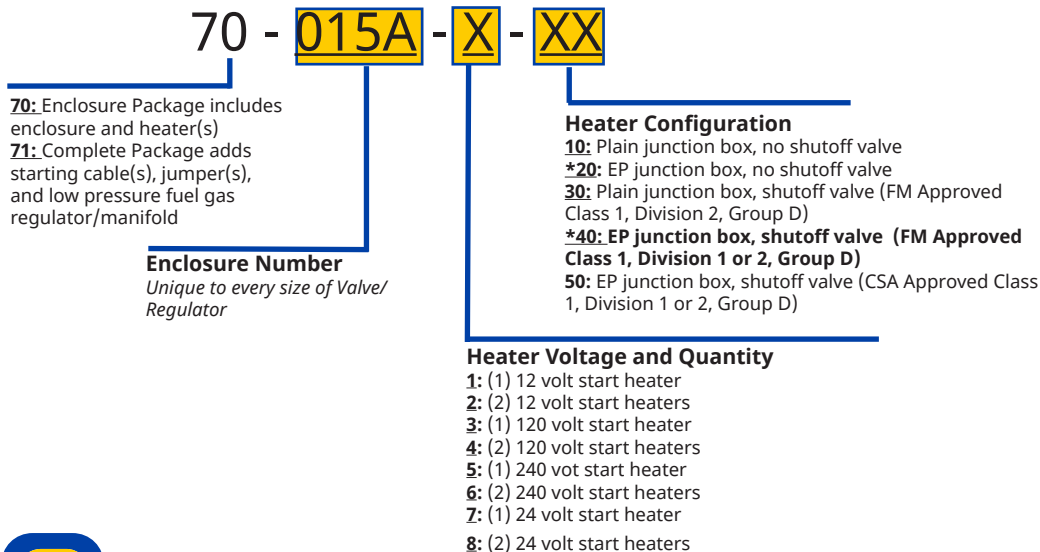
## SPACE HEATER PART NUMBER KEY



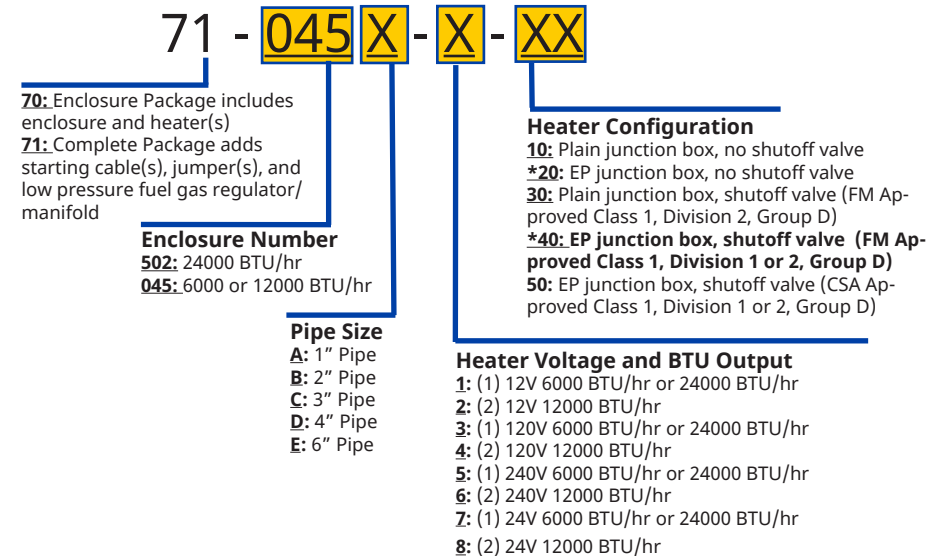
## INSTRUMENT GAS HEATER PART NUMBER KEY



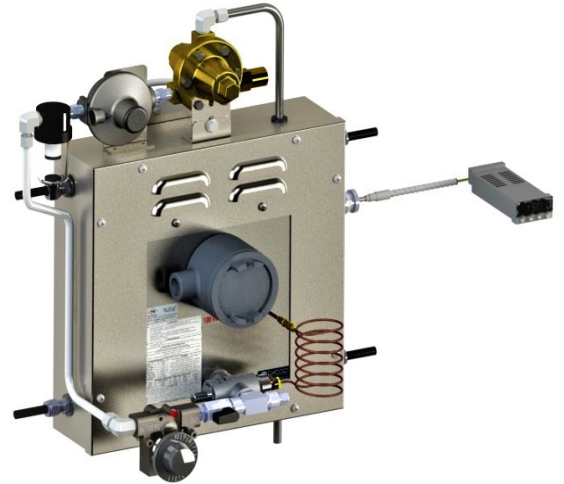
## ENCLOSURE PART NUMBER KEY



## PIPELINE PACK PART NUMBER KEY



# CATCO STATUS MODEL CODE



Included with  
Standard  
Models

Voltage

TC

Voltage	
Description	Code
12 Volt	1
120 Volt	2
240 Volt	3
24 Volt	4

Thermocouple Options	
Description	Code
8" Probe 24' Wire	1
12" Probe 12' Wire	2

Included with Standard Models
Temperature Controller
Thermocouple
Reducer
Pipe Fitting
Hex Lock

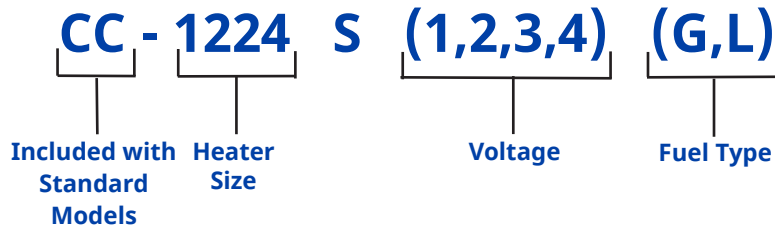


Please contact your Catco representative or email [info@catcousa.com](mailto:info@catcousa.com) for pricing or assistance specifying the best options for your equipment.

972-563-8065 | [INFO@CATCOUSA.COM](mailto:INFO@CATCOUSA.COM)

[CATCOUSA.COM](http://CATCOUSA.COM)

# CATCO CONTROL MODEL CODE



Heater Size - Voltage Options					
Description	Code	12V	24V	120V	240V
8RD	8RD	.	.	.	.
12RD	12RD	.	.	.	.
6X6	66	.	.	.	.
8X8	88	.	.	.	.
6X12	612	.	.	.	.
10X12	1012	.	.	.	.
12X12	1212	.	.	.	.
6X24	624	.	.	.	.
12X24	1224	.	.	.	.
12X36	1236		.	.	.
12X48	1248		.	.	.
24X24	2424		.	.	.
18X36	1836		.	.	.
12X60	1260		.	.	.
18X48	1848		.	.	.
18X60	1860		.	.	.
24X48	2448		.	.	.
24X60	2460		.	.	.
24X72	2472		.	.	.

Voltage	
Description	Code
12 Volt Start	1
120 Volt Start	2
240 Volt Start	3
24 Volt Start	4

Fuel Type	
Description	Code
Natural Gas	G
Propane	L

Included with Standard Models
GP Controller & Housing, GP Terminal Block & Enclosure, Fittings
GP AC Solenoid / GP DC Solenoid
12' GP Heater Thermocouple
Ambient Thermocouple
12' GP Electrical Wire Conduit
16' 120V Power Cable / 30' 12V Power Cable
Maxitrol LP Regulator
Heater with EP Junction Box

Options	
Description	Code
Modbus Card	CC-MC
12' Wire 12" Probe Process Thermocouple	CC-PT1212



Please contact your Catco representative or email [info@catcou-sa.com](mailto:info@catcou-sa.com) for pricing or assistance specifying the best options for your equipment.

972-563-8065 | [INFO@CATCOUSA.COM](mailto:INFO@CATCOUSA.COM)

[CATCOUSA.COM](http://CATCOUSA.COM)

# CATCO CXE ELECTRIC HEATER MODEL CODE

Products #								Temperature Rise		Shipping Weight <sup>1</sup>			
kW	BTU/hr	208V (1ph)	208V (3ph)	240V (1ph)	240V (3ph)	480V (3ph)	600V (3ph)	cfm	°C	°F	Temperature Code <sup>2</sup>	lb	kg
3.0	10236	CXE03008	CXE03038	CXE03000	CXE03030	CXE03034	CXE03036	350	18.0	32.2	T3A	188	85.3
5.0	17060	CXE05008	CXE05038	CXE05000	CXE05030	CXE05034	CXE05036	400	24.5	44.0	T3B	188	85.3
7.5	25590	CXE07508	CXE07538	CXE07500	CXE07530	CXE07534	CXE07536	500	23.7	42.5	T3B	188	85.3
10.0	34120	-	CXE10038	CXE10000	CXE10030	CXE10034	CXE10036	800	23.2	41.8	T3B	192	87.1
15.0	51180	-	CXE15038	-	CXE15030	CXE15034	CXE15036	1200	22.6	40.6	T3B	224	101.6
20.0	68240	-	-	-	-	CXE20034	CXE20036	1700	21.1	38.0	T3B	224	101.6
25.0	85300	-	-	-	-	CXE25034	CXE25036	2100	21.8	39.1	T3B	261	118.4
30.0	102360	-	-	-	-	CXE30036	CXE30036	3000	18.2	32.6	T3B	261	118.4
35.0	119420	-	-	-	-	CXE35034	CXE35036	3000	20.1	37.9	T3A	261	118.4

Product # Kit	Product # Factory Installed*	Description
-	CXE-24	Transformer and contractor for 24VAC (required for use with built-in or wall mount electronic thermostat)
-	CXE-D	Built-in disconnect switch (13 lb. / 5.9 kg shipping weight)
-	CXE-T1	Explosion-proof built-in bi-metal thermostat, range 5 °C (40 °F) to 25 °C (80 °F)
-	CXE-T2 <sup>3</sup>	Explosion-proof, electronic thermostat (low voltage), 5 °C (40 °F) to 25 °C (80 °F) (Suitable for 24 volt control circuit only)
-	CXE-P	Pilot light "heat on"
-	CXE-F	Continuous fan operation
CAT-BTX1-N-B	-	Explosion-proof, wall mount bi-metal thermostat, 5 °C (40 °F) to 25 °C (80 °F), (suitable for 24VAC or 120VAC control circuit)
CAT-XET1-1-N-B <sup>3</sup>	-	Explosion-proof, wall mount electronic thermostat (low voltage), 5 °C (40 °F) to 25 °C (80 °F), (suitable for 24 volt control circuit only)
CAT-BLK1-N-B	-	Thermostat conversion kit allowing interchangeability from built-in thermostat to wall mount configuration
CAT-XDC-01	-	Explosion-proof wall mount disconnect switch, 600V, 50A max
CXE-MS	-	Hanging mounting bracket, all models. Ideal and economical if adequate overhead structure exists. Requires 1/2 in. (12.5 mm) pipe, cut and threaded (min. Sch. 40) not supplied.
CXE-MBX <sup>4</sup>	-	Basic mounting bracket. Can be bolted or welded directly to structural steel or concrete.
CXE-MMX <sup>4</sup>	-	Wall mounting bracket. Use in buildings that have substantial walls. The Z sections provide additional support where necessary.
CXE-MTX <sup>4</sup>	-	Pipe mounting bracket. For buildings with insufficient strength to use other types of mounting brackets. Requires 3 in. (75 mm) pipe (3 1/2 in. [87.5 mm] O.D., min. Sch. 40) not supplied.
-	CXE-HCCX <sup>4,5</sup>	Heresite P-413 baked phenolic coating of heat exchanger core only
-	CXE-HCBX <sup>4,5</sup>	Heresite P-413 baked phenolic coating of louvers, fan blade, fan guard & cabinet parts
-	CXE-HCUX <sup>4,5</sup>	Heresite P-413 baked phenolic coating of heat exchanger core, louvers, fan blade, fan guard & cabinet parts

\* For factory installed options, add the product number as a line item to order.

<sup>1</sup> Shipping weight does not include the weight of built-in disconnect switch.

<sup>2</sup> Temperature code: T3B = 165 °C (329 °F), T3A = 180 °C (356 °F).

<sup>3</sup> Built-in transformer and contactor for 24VAC are required, add « CXE-24 » as a separate line item.

<sup>4</sup> X = 1 (3 to 10kW units), 2 (15 to 20kW units), 3 (25 to 35kW units).

<sup>5</sup> We do not Heresite coat the explosion-proof motor, control enclosure, aluminum conduit or any options such as disconnect or integral thermostat. Allow additional 4 to 6 weeks lead time for Heresite coating.