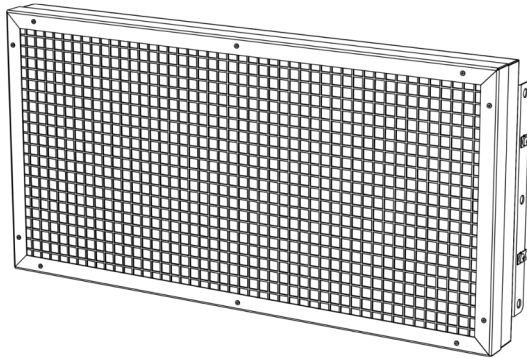


Product Overview

Catco catalytic heaters bring fuel and oxygen together in the presence of a heated catalyst. This causes a chemical reaction that produces infrared heat but no flame, and the catalyst is not consumed by the reaction. Once it's operational, a catalytic heater can operate indefinitely if it has a clean source of fuel and sufficient air.

The 12x24 heater is most commonly used in space heating applications in remote and/or hazardous locations.

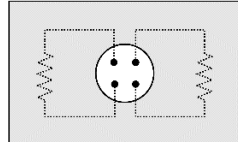




Product Specs

Fuel

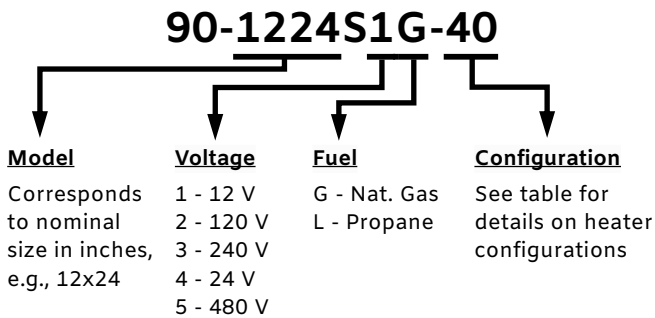
| Rating BTU/hr (kW) | Fuel Consumption | |
|-----------------------|-----------------------------|--------------------------|
| | Natural Gas SCFH (m3/hr) | Propane lb/hr (kg/hr) |
| 12,000 (3.52) | 12.0 (0.34) | 0.56 (0.25) |

Electrical

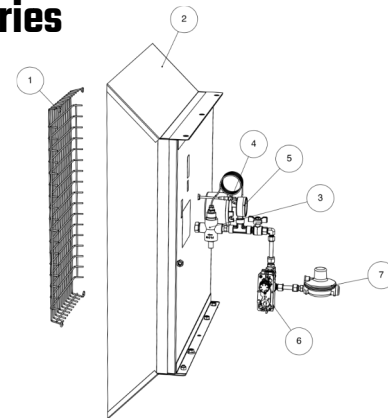
| Heating Elements | Bus Bar Arrangement |
|--|---|
|  | Parallel Heating Elements (12 V, 120 V)  |
| | Series Heating Elements (24 V, 240 V, 480 V)  |

| Starting Amperage, A | | | | |
|----------------------|------|-------|-------|-------|
| 12 V | 24 V | 120 V | 240 V | 480 V |
| 16.7 | 8.3 | 1.7 | 0.8 | 0.4 |

Part Number Key



Accessories



Heater Configurations

| Config | Hazardous Location Listing | | Junction Box | | Valve and Thermo-couple |
|--------|----------------------------|-----------------------|--------------|----|-------------------------|
| | Class I Div 1 Group D | Class I Div 2 Group D | Plain | EP | |
| -10 | | | • | | |
| -20 | | | | • | |
| -30 | | FM | • | | • |
| -40 | FM | FM | | • | • |
| -50 | CSA | CSA | | • | • |

| Part Number | Description |
|-----------------|----------------------------------|
| 1 60-003 | Facegrill |
| 2 61-022 | Reflector |
| 3 30-127 | Shutoff valve (aka safety valve) |
| 4 30-010 | Thermocouple |
| 5 35-076 | Water column pressure gauge |
| 6 40-037-G12000 | Thermostat (natural gas) |
| 7 50-005 | 912 style low pressure regulator |
| 10-010 | Wall-mount brackets (not shown) |
| 10-069 | Floor stand (not shown) |

For additional accessories and more information, see the Catalytic Heater Product Bulletin.