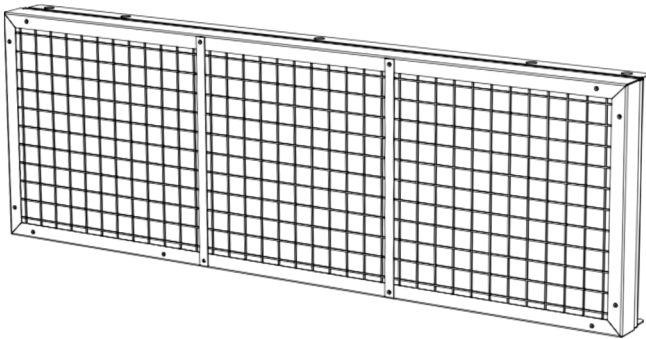


## Product Overview

Catco catalytic heaters bring fuel and oxygen together in the presence of a heated catalyst. This causes a chemical reaction that produces infrared heat but no flame, and the catalyst is not consumed by the reaction. Once it's operational, a catalytic heater can operate indefinitely if it has a clean source of fuel and sufficient air.

The 12x36 heater is most commonly used in space heating applications in remote and/or hazardous locations.

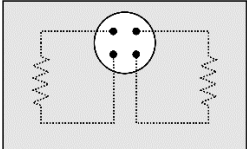




## Product Specs

### Fuel

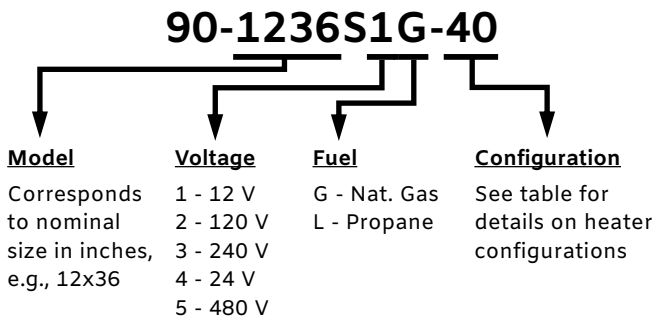
Rating BTU/hr (kW)	Fuel Consumption	
	Natural Gas SCFH (m3/hr)	Propane lb/hr (kg/hr)
18,000 (5.28)	18.0 (0.51)	0.83 (0.38)

### Electrical

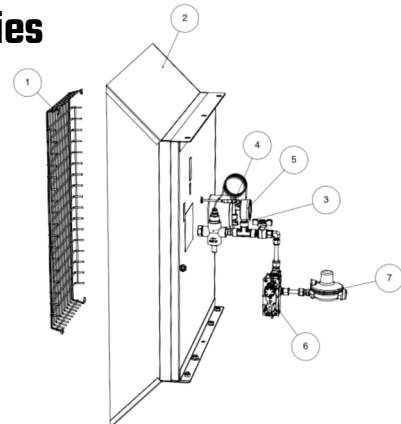
Heating Elements	Bus Bar Arrangement
	Parallel Heating Elements (12 V, 120 V) 
	Series Heating Elements (24 V, 240 V, 480 V) 

Starting Amperage, A				
12 V	24 V	120 V	240 V	480 V
33.3	16.7	3.8	1.9	1.9

## Part Number Key



## Accessories



## Heater Configurations

Config	Hazardous Location Listing		Junction Box		Valve and Thermo-couple
	Class I Div 1 Group D	Class I Div 2 Group D	Plain	EP	
-10			•		
-20				•	
-30		FM	•		•
-40	FM	FM		•	•
-50	CSA	CSA		•	•

	Part Number	Description
1	60-004	Facegrill
2	61-023	Reflector
3	30-127	Shutoff valve (aka safety valve)
4	30-010	Thermocouple
5	35-076	Water column pressure gauge
6	40-037-G18000	Thermostat (natural gas)
7	50-005	912 style low pressure regulator
	10-025	Wall-mount brackets (not shown)
	10-073	Floor stand (not shown)

For additional accessories and more information, see the *Catalytic Heater Product Bulletin*.