

Product Overview

Catco catalytic heaters bring fuel and oxygen together in the presence of a heated catalyst. This causes a chemical reaction that produces infrared heat but no flame. Once operational, a catalytic heater can operate indefinitely if it has a clean source of fuel and sufficient air.

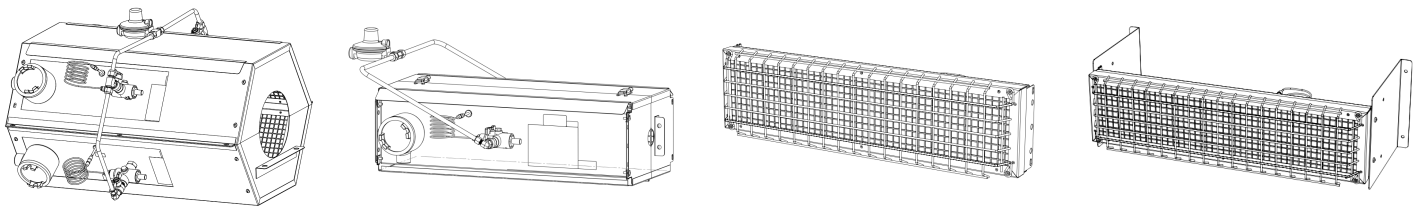
The 6x12 heater is most often used as the heat source for Catco Pipeline Packs, which are used to heat gas flowing through a pipe upstream of valves, regulators or other equipment. It can also be used for space heating in meter houses, instrument sheds, and other small buildings.

Product Specs

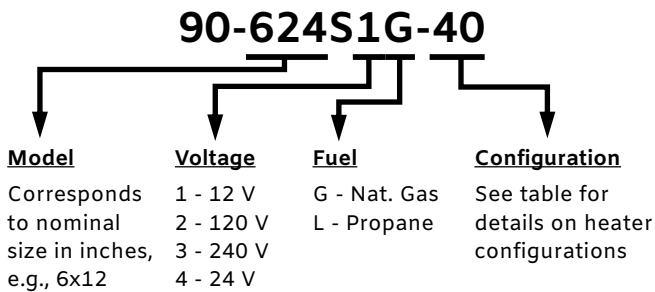
Rating BTU/hr (kW)	Fuel Consumption	
	Natural Gas SCFH (m3/hr)	Propane lb/hr (kg/hr)
6000 (1.76)	6.0 (0.17)	0.28 (0.13)

Starting Amperage, A			
12 V	24 V	120 V	240 V
16.7	4.2	1.9	1.9

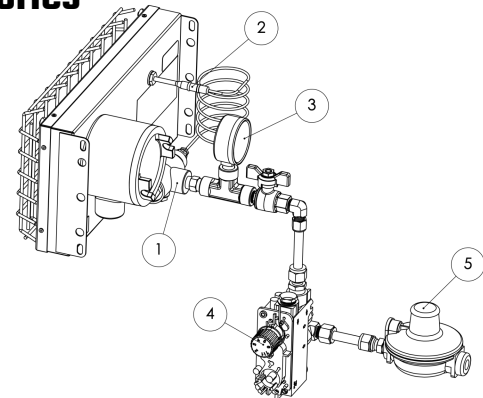
Popular Applications



Part Number Key



Accessories



Heater Configurations

Config	Hazardous Location Listing		Junction Box		Valve and Thermo-couple
	Class I Div 1 Group D	Class I Div 2 Group D	Plain	EP	
-10			•		
-20				•	
-30		FM	•		•
-40	FM	FM		•	•
-50	CSA	CSA		•	•

	Part Number	Description
1	30-127	Shutoff valve (aka safety valve)
2	30-010	Thermocouple
3	35-076	Water column pressure gauge
4	40-037-G6000	Thermostat (natural gas)
5	50-005	912 style low-pressure regulator
	20-030	12 V starting cables (plain junction box)
	20-031	12 V starting cables (EP junction box)
	10-010	Wall mount brackets
	60-001	Facegrill

For additional accessories and more information, see the *Catalytic Heater Product Bulletin*.