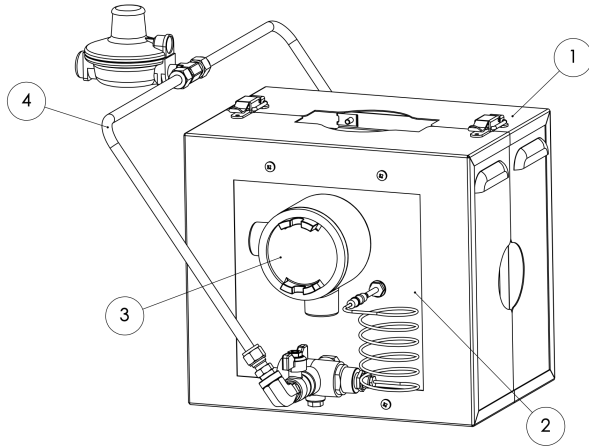


Product Overview

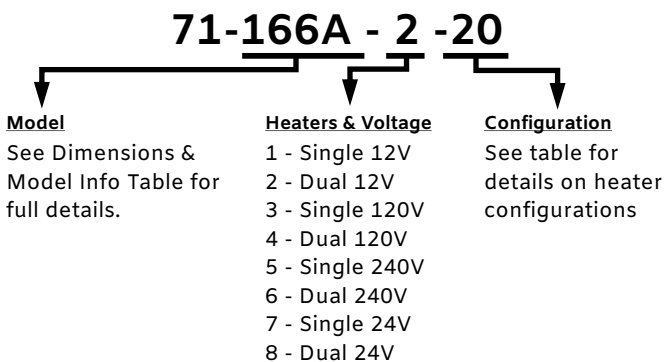
Heated Enclosure Packages are designed to fit around your 2" NPT Fisher D4 valves. A stainless-steel enclosure positions one or two catalytic heaters adjacent to the equipment to prevent hydrate formation and other freeze ups.



1. The stainless-steel enclosure serves three functions: it mounts to the pipe and around the regulator, it protects the heater face from the weather, and directs the infrared heat toward the regulator.
2. Heated Enclosure Packages can be configured with one or two catalytic heaters. The single-heater configuration is used for light- and medium-duty applications while the dual-heater unit prevents freezing in heavy duty applications and the harshest conditions.
3. Electricity is only needed during startup -- usually only about 15 minutes. Units can be configured for a variety of starting voltages. Heated Enclosure Packages include appropriate starting cables. On dual-enclosure units, an electrical jumper connects the heaters, so a single electrical supply preheats both units.
4. On dual-heater units, the heater fuel supply is managed with the fuel gas manifold. It includes a low-pressure regulator and provides fuel to both heaters from a single input.

Part Number Key

Overview

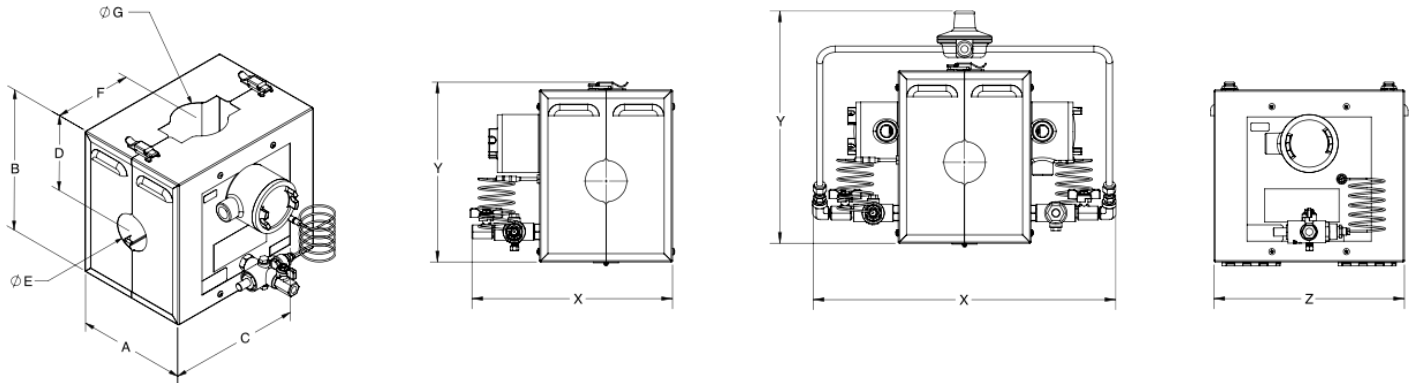


Heater Configurations

Heated Enclosure Packages are available with heaters of the following configurations:

Config	Hazardous Location Listing		Junction Box		Valve and Thermo-couple
	Class I Div 1 Group D	Class I Div 2 Group D	Plain	EP	
-10			•		
-20				•	
-30		•	•		•
-40	•	•		•	•
-50	•	•		•	•

Product Specs



Enclosure Dimensions & Information

Model	Notes	Enclosure Dimensions, inches (mm)						
		A	B	C	D	E	F	G
71-231A	Covers a 2" NPT Fisher D4 valve.	8.0 (204)	10.6 (270)	11.5 (292)	5.5 (140)	2.5 (64)	3.5 (89)	3.5 (89)

Operating Specs & Overall Dimensions

Model	Heaters	Rating, BTU/hr (kW)	Fuel Consumption, SCFH (m3/hr)	Approx. Weight, lb (kg)	Overall Dimensions, inches (mm)			Starting Amps, A			
					X	Y	Z	12 V	24 V	120 V	240 V
71-231A	Single	2667 (0.782)	2.7 (0.08)	15 (6.80)	11.7 (296)	11.1 (282)	11.5 (292)	6.7	4.2	0.6	0.4
	Dual	5334 (1.563)	5.4 (0.15)	21 (9.07)	18.3 (465)	14.2 (361)	17.3 (439)	13.4	8.4	1.2	0.8

Catco has deployed tens of thousands of custom-designed Heated Enclosure Packages. If you need a custom solution, contact Catco to get started on your project.