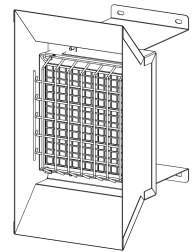
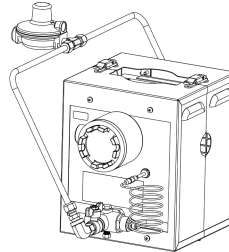
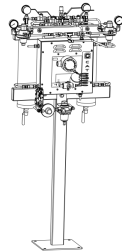
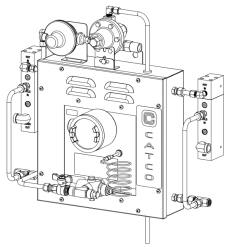


## Product Overview

Catco catalytic heaters bring fuel and oxygen together in the presence of a heated catalyst. This causes a chemical reaction that produces infrared heat but no flame. Once operational, a catalytic heater can operate indefinitely if it has a clean source of fuel and sufficient air.

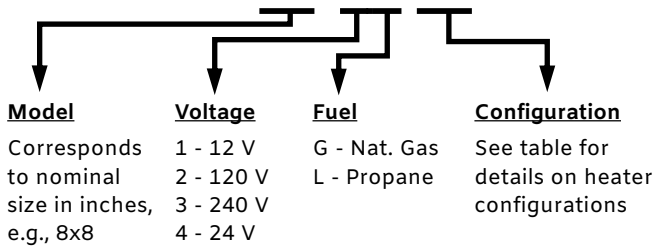
The 8x8 heater is most often used as the heat source for Catco's Instrument Gas Heaters and Gas Conditioning System. It's also a component of many of Catco's most popular heated enclosure packages, or it can be used for space heating in small areas or instrumentation and measurement enclosures.

## Popular Applications

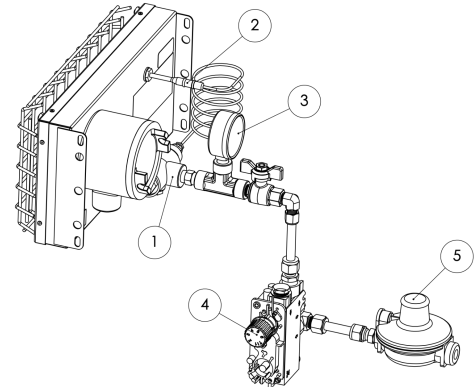


## Part Number Key

**90-88S1G-40**



## Accessories



## Heater Configurations

Config	Hazardous Location Listing		Junction Box		Valve and Thermo-couple
	Class I Div 1 Group D	Class I Div 2 Group D	Plain	EP	
-10			•		
-20				•	
-30		FM	•		•
-40	FM	FM		•	•
-50	CSA	CSA		•	•

	Part Number	Description
1	30-127	Shutoff valve (aka safety valve)
2	30-010	Thermocouple
3	35-076	Water column pressure gauge
4	40-037-G3000	Thermostat (natural gas)
5	50-005	912 style low-pressure regulator
	20-030	12 V starting cables (plain junction box)
	20-031	12 V starting cables (EP junction box)

*For additional accessories and more information, see the Catalytic Heater Product Bulletin.*