

CATCO CXE EXPLOSION-PROOF ELECTRIC HEATER



The CXE explosion-proof heater is an electric heater designed to meet the most demanding requirements. CXE heaters are tailored to provide primary or supplementary heating for comfort or freeze protection in hazardous locations.

THE RUGGED AND VERSATILE HEATER INCORPORATES:

- + Utilizes a high-quality **immersion heater** along with a high-performance **fan and motor assembly**
- + Sturdy 14 GA **steel cabinet** with epoxy/polyester powder-coating for corrosion resistance
- + Large **control enclosure** with an extra port for convenient wiring of an external room thermostat
- + **Enclosure O-rings** to minimize moisture ingress
- + Rugged **liquid-to-air heat-exchanger cores** use rugged carbon-steel tubes with copper-free, roll-formed aluminum fins to maximize heat transfer and carbon-steel headers for maximum durability and longer life



FEATURES

COLOR

- Standard: red

FINISH

- Standard: epoxy/polyester powder paint

VOLTAGE

- 208V, 240V, 480V, 600V, 1 or 3-phase

CONSTRUCTION

- 14-gauge steel cabinet
- Adjustable anodized aluminum louvers
- Cast aluminum control and element enclosure lids NEMA Type 7 and 9 with O-ring
- Fan Guard: multiple horizontal and vertical stiffening wires

PROTECTION

- Stainless steel high-temperature pressure relief device
- Two high-limit temperature controls: one with automatic reset and one with manual reset

FAN

- Explosion-proof, thermally protected, permanently lubricated ball bearing motor
- 3 to 20kW: 1/4 HP, 1725 rpm
- 25 to 35kW: 1/2 HP, 1725 rpm

HEAT EXCHANGER

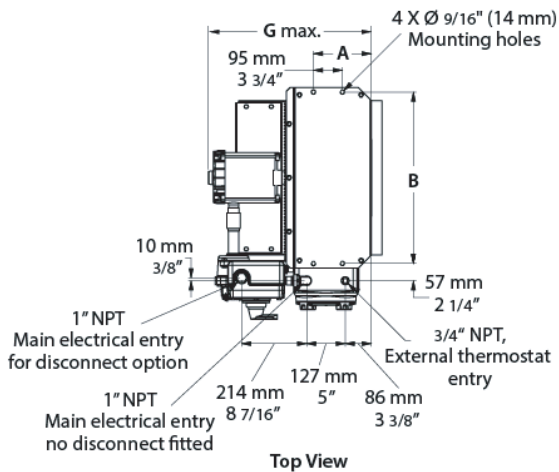
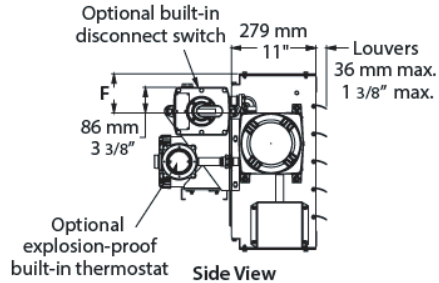
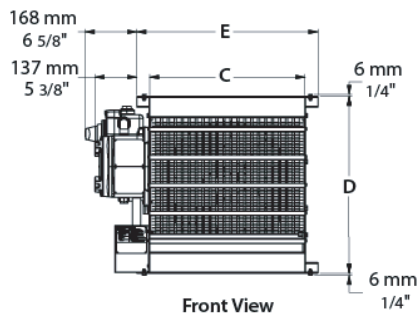
- High grade metal-sheathed elements with ethylene glycol/water solution
- Long-life, low watt density
- Evacuated and sealed, carbon steel tube core with 10 aluminum fins per inch

TEMPERATURE CODE

- Division System: 5 to 30kW = T3B 165 °C (329 °F)
- 3kW/35kW = T3A 180 °C (356 °F)
- Zone System T3 200 °C (392 °F)

CONTROL

- 120VAC control (standard)
- Optional 24VAC control (recommended due to safer voltage)
- Required for use with electronic thermostat
- Optional built-in or wall thermostats (bi-metal or electronic)
- Optional built-in or wall disconnect switch



ADDITIONAL OPTIONS

- Pilot light
- Continuous fan
- Heresite coatings

INSTALLATION

- Accessories available

WARRANTY

- 3-year warranty against defects

APPLICATIONS

- Paint storage area, petrochemical plant, refinery, chemical plant, mining industry, sawmill

Consult the electrical code in your area before installing this unit.

For more information, please visit www.catcousa.com

Products #								Temperature Rise		Shipping Weight ¹			
kW	BTU/hr	208V (1ph)	208V (3ph)	240V (1ph)	240V (3ph)	480V (3ph)	600V (3ph)	cfm	°C	°F	Temperature Code ²	lb	kg
3.0	10236	CXE03008	CXE03038	CXE03000	CXE03030	CXE03034	CXE03036	350	18.0	32.2	T3A	188	85.3
5.0	17060	CXE05008	CXE05038	CXE05000	CXE05030	CXE05034	CXE05036	400	24.5	44.0	T3B	188	85.3
7.5	25590	CXE07508	CXE07538	CXE07500	CXE07530	CXE07534	CXE07536	500	23.7	42.5	T3B	188	85.3
10.0	34120	-	CXE10038	CXE10000	CXE10030	CXE10034	CXE10036	800	23.2	41.8	T3B	192	87.1
15.0	51180	-	CXE15038	-	CXE15030	CXE15034	CXE15036	1200	22.6	40.6	T3B	224	101.6
20.0	68240	-	-	-	-	CXE20034	CXE20036	1700	21.1	38.0	T3B	224	101.6
25.0	85300	-	-	-	-	CXE25034	CXE25036	2100	21.8	39.1	T3B	261	118.4
30.0	102360	-	-	-	-	CXE30036	CXE30036	3000	18.2	32.6	T3B	261	118.4
35.0	119420	-	-	-	-	CXE35034	CXE35036	3000	20.1	37.9	T3A	261	118.4

Product # Kit	Product # Factory Installed*	Description
-	CXE-24	Transformer and contractor for 24VAC (required for use with built-in or wall mount electronic thermostat)
-	CXE-D	Built-in disconnect switch (13 lb. / 5.9 kg shipping weight)
-	CXE-T1	Explosion-proof built-in bi-metal thermostat, range 5 °C (40 °F) to 25 °C (80 °F)
-	CXE-T2 ³	Explosion-proof, electronic thermostat (low voltage), 5 °C (40 °F) to 25 °C (80 °F) (Suitable for 24 volt control circuit only)
-	CXE-P	Pilot light "heat on"
-	CXE-F	Continuous fan operation
CAT-BTX1-N-B	-	Explosion-proof, wall mount bi-metal thermostat, 5 °C (40 °F) to 25 °C (80 °F), (suitable for 24VAC or 120VAC control circuit)
CAT-XET1-1-N-B ³	-	Explosion-proof, wall mount electronic thermostat (low voltage), 5 °C (40 °F) to 25 °C (80 °F), (suitable for 24 volt control circuit only)
CAT-BLK1-N-B	-	Thermostat conversion kit allowing interchangeability from built-in thermostat to wall mount configuration
CAT-XDC-01	-	Explosion-proof wall mount disconnect switch, 600V, 50A max
CXE-MS	-	Hanging mounting bracket, all models. Ideal and economical if adequate overhead structure exists. Requires 1/2 in. (12.5 mm) pipe, cut and threaded (min. Sch. 40) not supplied.
CXE-MBX ⁴	-	Basic mounting bracket. Can be bolted or welded directly to structural steel or concrete.
CXE-MMX ⁴	-	Wall mounting bracket. Use in buildings that have substantial walls. The Z sections provide additional support where necessary.
CXE-MTX ⁴	-	Pipe mounting bracket. For buildings with insufficient strength to use other types of mounting brackets. Requires 3 in. (75 mm) pipe (3 1/2 in. [87.5 mm] O.D., min. Sch. 40) not supplied.
-	CXE-HCCX ^{4,5}	Heresite P-413 baked phenolic coating of heat exchanger core only
-	CXE-HCBX ^{4,5}	Heresite P-413 baked phenolic coating of louvers, fan blade, fan guard & cabinet parts
-	CXE-HCUX ^{4,5}	Heresite P-413 baked phenolic coating of heat exchanger core, louvers, fan blade, fan guard & cabinet parts

* For factory installed options, add the product number as a line item to order.

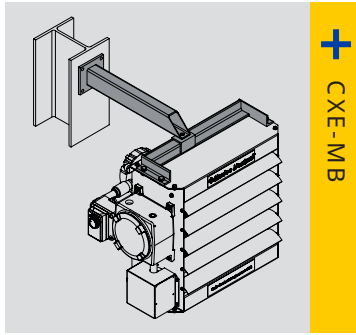
¹ Shipping weight does not include the weight of built-in disconnect switch.

² Temperature code: T3B = 165 °C (329 °F), T3A = 180 °C (356 °F).

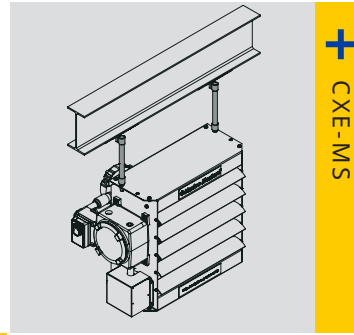
³ Built-in transformer and contractor for 24VAC are required, add « CXE-24 » as a separate line item.

⁴ X= 1 (3 to 10kW units), 2 (15 to 20kW units), 3 (25 to 35kW units).

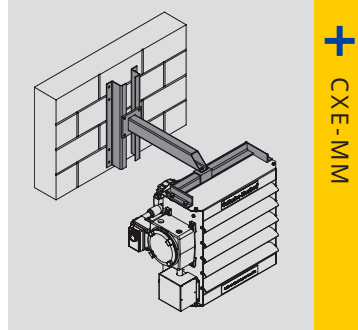
⁵ We do not Heresite coat the explosion-proof motor, control enclosure, aluminum conduit or any options such as disconnect or integral thermostat. Allow additional 4 to 6 weeks lead time for Heresite coating.



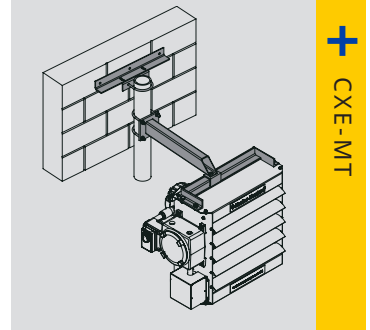
+
CXE-MB



+
CXE-MS



+
CXE-MM



+
CXE-MT

CXE-MB

Basic Mounting Bracket

Suitable for applications where the support arm can be bolted or welded directly to structural steel or concrete.

CXE-MM

Wall Mounting Bracket

For use in buildings that have substantial walls. The Z sections provide additional support where necessary.

CXE-MS

Hanging Mounting Bracket

Ideal and economical if adequate overhead structure exists. Requires 1/2 in. (12.5 mm) pipe, cut and threaded (min. Sch. 40) not supplied.

CXE-MT

Pole Mounting

For buildings with insufficient strength to use other types of mounting brackets. Requires 3 in. (75 mm) pipe (3 1/2 in. [87.5 mm] O.D., min. Sch. 40) not supplied.

APPROVED LOCATIONS

- Class I, Divisions 1 and 2, Groups C and D.
- Class II, Divisions 1 and 2, Groups F and G.
- Temperature code: T3B (5 to 30kW), T3A (3kW/35kW).
- Class I, Zones 1 & 2, Groups IIA & IIB, T3.

TEMPERATURE LIMITATIONS

- Ambient temperature: -40 °C to 40 °C (-40 °F to 104 °F).
- Maximum altitude: 3048 m (10000 ft.) above sea level.



972-563-8065 INFO@CATCOUSA.COM

CATCOUSA.COM